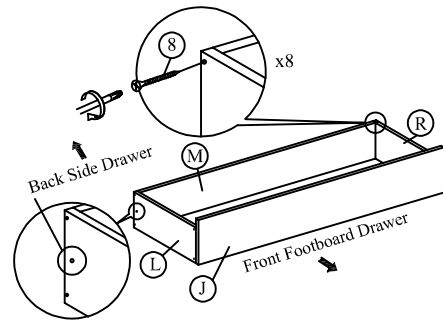
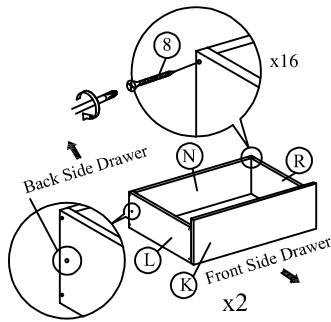


# Assembly Instruction

**CF 9370  
(4'6" FULL)**

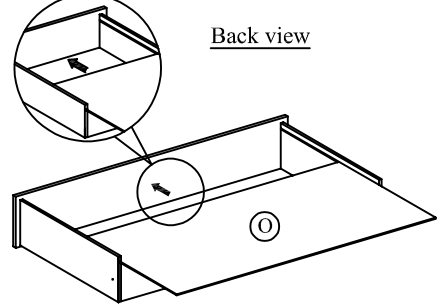
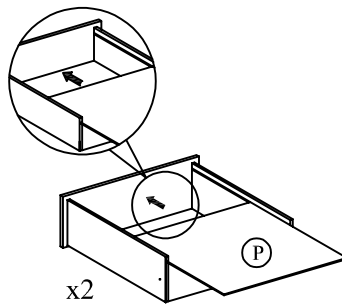
**Step 1**

A		Headboard	1pc
B		Footboard	1pc
C		Side Rail	2pcs
D		Side Wing	2pcs
E		Footboard Side Legs 80 x 35 x 50(H)	2pcs
F		Center Rail 1530mm	1pc



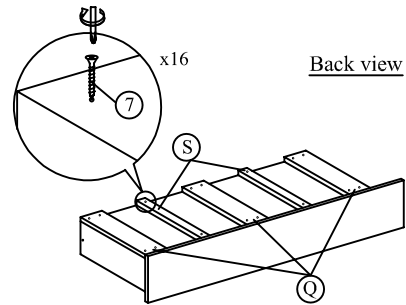
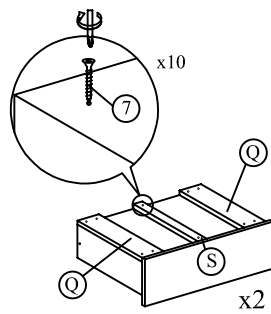
**Step 2**

G		15 Slats 1397mm	1pc
H		Support Legs 265mm	3pcs
I		Side Rail Support Legs 266 x 60 x 15mm	4pcs
J		Footboard Front Panel	1pc
K		Side Rail Front Panel	2pcs
(L)		Left Side Panel	3pcs
(R)		Right Side Panel	3pcs



**Step 3**

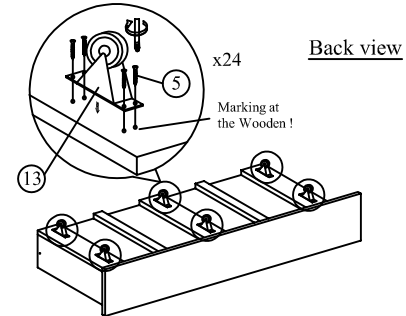
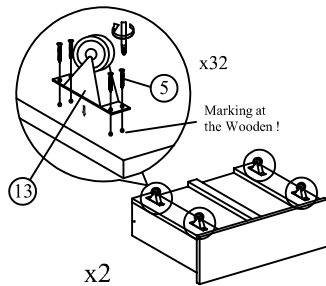
M		Footboard Back Panel	1pc
N		Side Rail Back Panel	2pcs
O		Footboard Bottom Panel	1pc
P		Side Rail Bottom Panel	2pcs
Q		Bottom Panel Big Support Wood	7pcs
S		Bottom Panel Small Support Wood	4pcs



**HARDWARE**

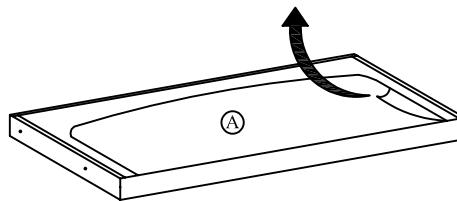
1		JCBC M6 x 60	3pcs
2		JCBC M6 x 50	12pcs
3		Allen Key 100mm	1pc
4		Allen Key 70mm	1pc
5		CSK Screw 16mm	56pcs
6		CSK Screw 28mm	8pcs
7		CSK Screw 32mm	66pcs
8		CSK Screw 50mm	24pcs

**Step 4**



**Step 5**

9		JCBB M8 x 20	4pcs
10		Small Adjuster	3pcs
11		Wood Dowel 25 mm	8pcs
12		Metal Stopper	6pcs
13		Roller	14pcs
14		Spring Washers	10pcs
15		Flat Washers	10pcs

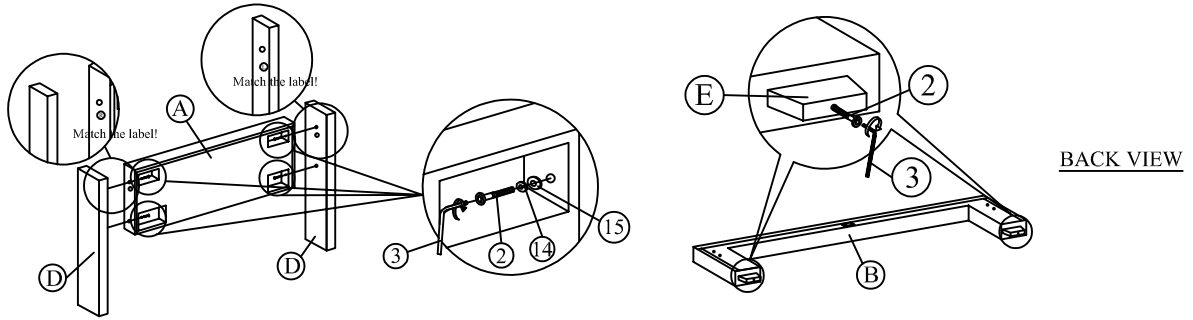


**BACK VIEW**

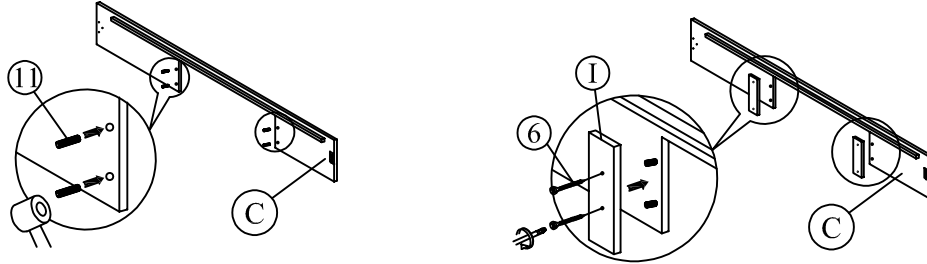
**Attention: Zip the black non-woven fabric after take out the parts !!**

# Assembly Instruction

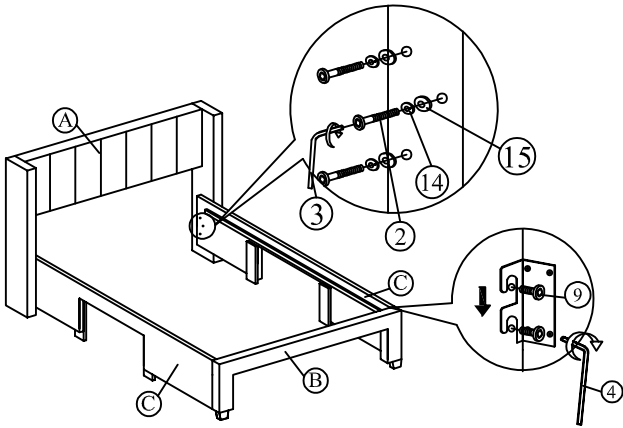
Step 6



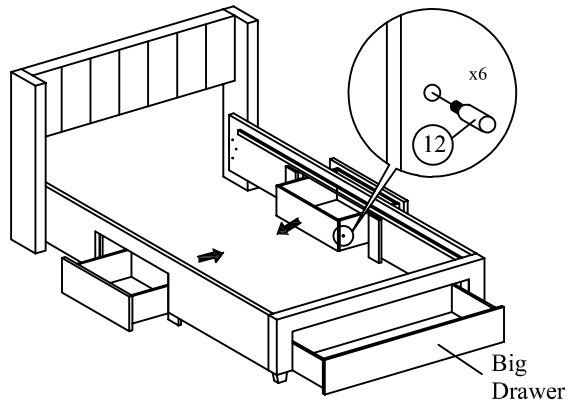
Step 7



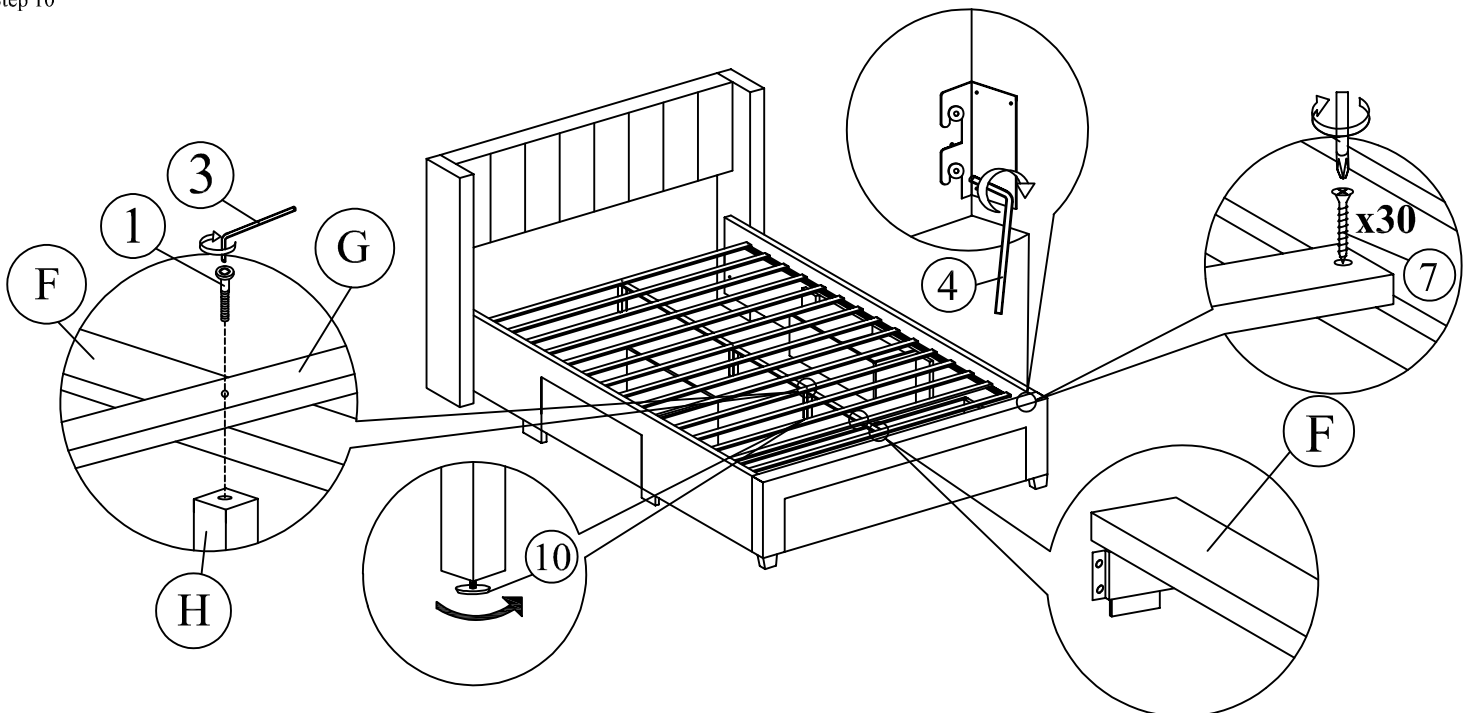
Step 8



Step 9



Step 10



## **Important Information**

Please note that the recommended process for adjusting centre legs when assembling your bed.

Before placing the mattress on the base, please ensure that the **SUPPORT LEGS ARE NOT QUITE TOUCHING THE FLOOR**. When the bed is then in use the support legs will sit firmly on the solid surface.

PLEASE ENSURE THAT THE LEGS ARE VERTICAL.

DUE TO THE NATURE OF LAMINATE / WOODEN FLOORING WE RECOMMEND THAT YOU PLACE A SMALL PIECE OF NON SLIP MATERIAL UNDER THE LEGS WHICH WILL GIVE YOU THE FLEXIBILITY THE ADJUSTERS NEED.

When moving the bed it is essential that it is **LIFTED** into the new position. **NEVER DRAG** the bed as this will move the legs from the vertical position thus weakening the support of the centre rail.

Adhering to the recommended process should ensure that your bed gives you years of trouble free service.